

### Option 1: Printable Ring Sizer

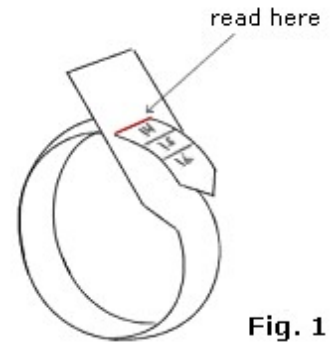
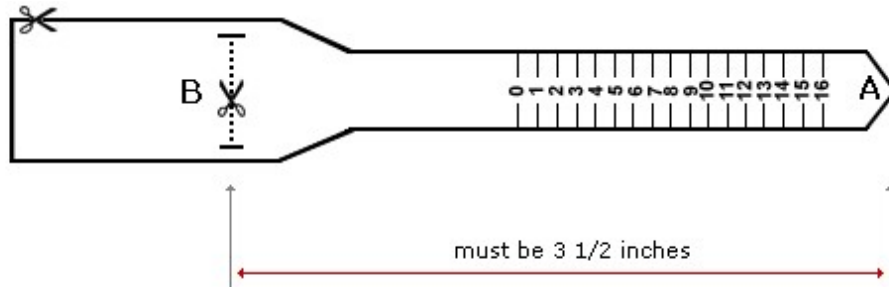


Fig. 1

Please make sure that your printer is set to 100% print size.

1. Print out this page.
2. Cut out your Ring Sizer as shown on the diagram.
3. Insert the sharp point marked "A" through the slot "B".
4. Place the Ring Sizer over your finger and pull the tab until it fits comfortably.
5. Read the size from the scale.

[print this page](#) ▶

If not sure about your printer setting, do the following:

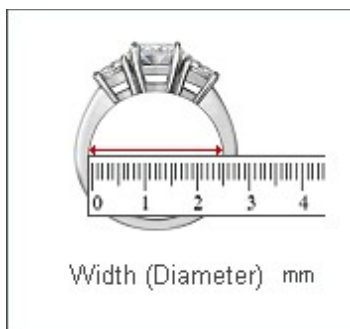
Go to **File > Print Preview > Print Size = 100% > Print Document**

**Note:** To verify that the printable ring sizer printed correctly, measure the ring sizer as shown above. Must be about 3 1/2 inches.



Fig. 2

### Option 2: Ring Size Chart



To find an approximate ring size, measure the **wigth** (diameter) of a ring you currently wear. Or,

measure the **circumference** of your finger with a strip of paper or a string. Find the nearest measurement on the chart. If unsure between two sizes, choose the larger size.

Size:	Circumference:		Width:	
	inches	millimeters	inches	millimeters
0	1.44	36.5	0.46	11.6
1	1.54	39.1	0.49	12.4
2	1.64	41.6	0.52	13.3
3	1.74	44.2	0.55	14.1
4	1.84	46.7	0.59	14.9
5	1.94	49.3	0.62	15.7
6	2.04	51.8	0.65	16.5
7	2.14	54.4	0.68	17.3
8	2.24	56.9	0.71	18.1
9	2.34	59.5	0.75	18.9
10	2.44	62.1	0.78	19.8
11	2.54	64.6	0.81	20.6
12	2.64	67.2	0.84	21.4
13	2.74	69.7	0.87	22.2
14	2.85	72.3	0.91	23.0